



PANORAMIC P72.10 EE

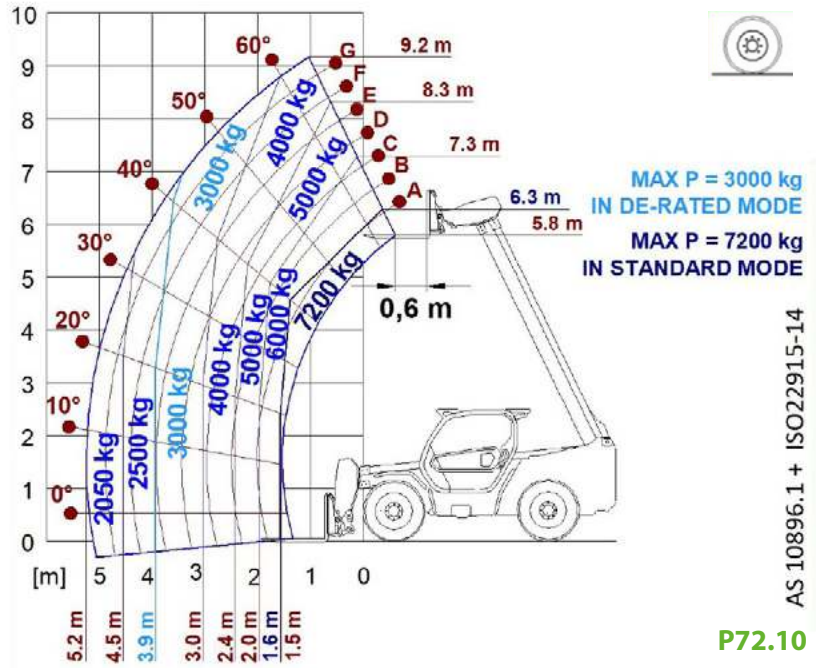


MERLO

PERFORMANCE AND FEATURES	P72.10 EE		
PERFORMANCE			
Total unladen weight (kg)	11300		
Maximum capacity (kg)	7200		
Lifting height (m)	9,2		
Maximum reach (m)	5,2		
Maximum operating height (m)	6		
Maximum operating reach (m)	1,5		
Capacity at maximum height (kg)	2750		
Capacity at maximum reach (kg)	1800		
Lateral boom movement (mm)	± 250		
Tilting correction (%)	± 8		
Boom sections	2		
POWERTRAIN			
Turbo motor	Kubota V3800		
Displacement/cylinders	3800/4		
Engine Power (kW/HP)	74/100		
Anti-pollution technology	TIER 3, STAGE IIIA		
Reversible fan	-		
Maximum speed (km/h)	40		
Fuel tank (l)	140		
AdBlue tank (l)	-		
Hydrostatic transmission	● - 2V		
EPD	-		
Axles	Drop portal		
Reduction hub	RR700		
Machine brakes	Dry discs		
Automatic parking brake	●		
HYDRAULIC			
Hydraulic pump	LS		
Flow rate/pressure (l/min – bar)	104 - 250		
Hydraulic tank	100		
Hydraulic outlet at the top of the boom	●		
Rear hydraulic outlets	○		
CAB			
Cab configuration	ECO		
ASCS	Light		
FOPS LIV II cab	●		
ROPS cab	●		
Cab commands	Electronic joystick		
Tilting Cab	-		
Reverse shuttle	Dual reverse		
CONFIGURATION			
Cab suspension	-		
Boom suspension	-		
Suspension on axles	-		
Work headlights on cab	●		
Sun blind	●		
Tac-lock	●		
Provision for a platform	○		
Two floating forks	●		
Inching-Control	●		
Four-wheel drive	●		
Four-wheel steering	●		
Three steering modes	●		
Standard tyres	400/70-24		
Optional tyres	-		
Stabilisers	-		
Turret rotation	-		
Type approval as an agricultural tractor	-		
Approval with PNEUMATIC braking	-		
Approval with HYDRAULIC braking	-		
PTO	-		
3-point linkage	-		

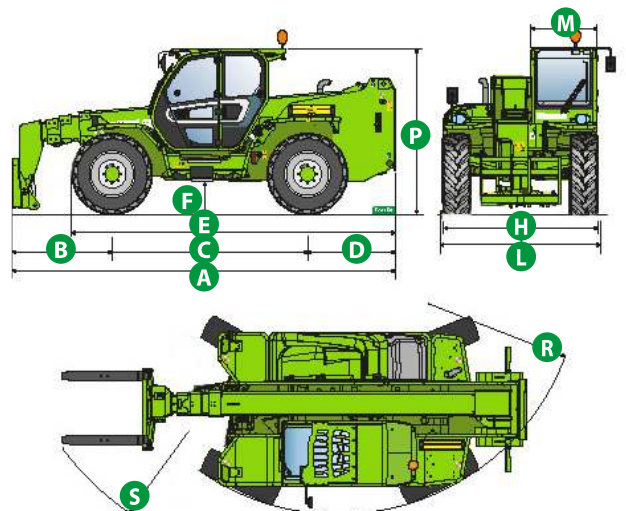
- Not Available. ● standard. ○ optional.

LOAD CHARTS



DIMENSIONS

	P72.10 EE		
A (mm)	5480		
B (mm)	1255		
C (mm)	2920		
D (mm)	1304		
E (mm)	4815		
F (mm)	450		
H (mm)	2240		
L (mm)	-		
M (mm)	1010		
P (mm)	2500		
R (mm)	3970		
S (mm)	4990		





MERLO GROUP AUSTRALIA PTY LTD

27 Colin Jamieson Dve, Welshpool (Perth), WA 6106
Tel. (08) 9358 3110 - Fax (08) 9358 4110

120 Toongabbie Road, Girraween, NSW 2145
Tel. (02) 9688 0600

Tel:1300 657 325

info@merloaustralia.com.au
www.merloaustralia.com.au

Your Merlo dealer

DS_P7210EE_0720_AUS