

NEW Telescoping Crawler Crane

CC1485S-1



Crane Capacity
6.0t × 2.6m

Max Lifting Height
16.7m



Pick & Carry Duty
2,000kg

Max Lifting Height : 22.0m
With Optional Fly Jib



Programmable Moment Limiter



New 7 inch Multi Monitor

Minimal Tail Swing



Rear View Monitor



Camera

4 Fall / 2 Fall Hook Block



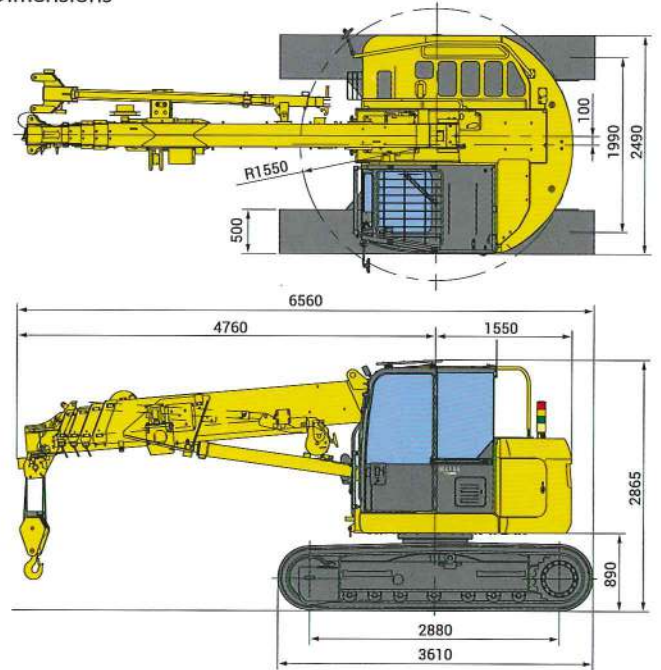
EU Stage III B Compliant Engine



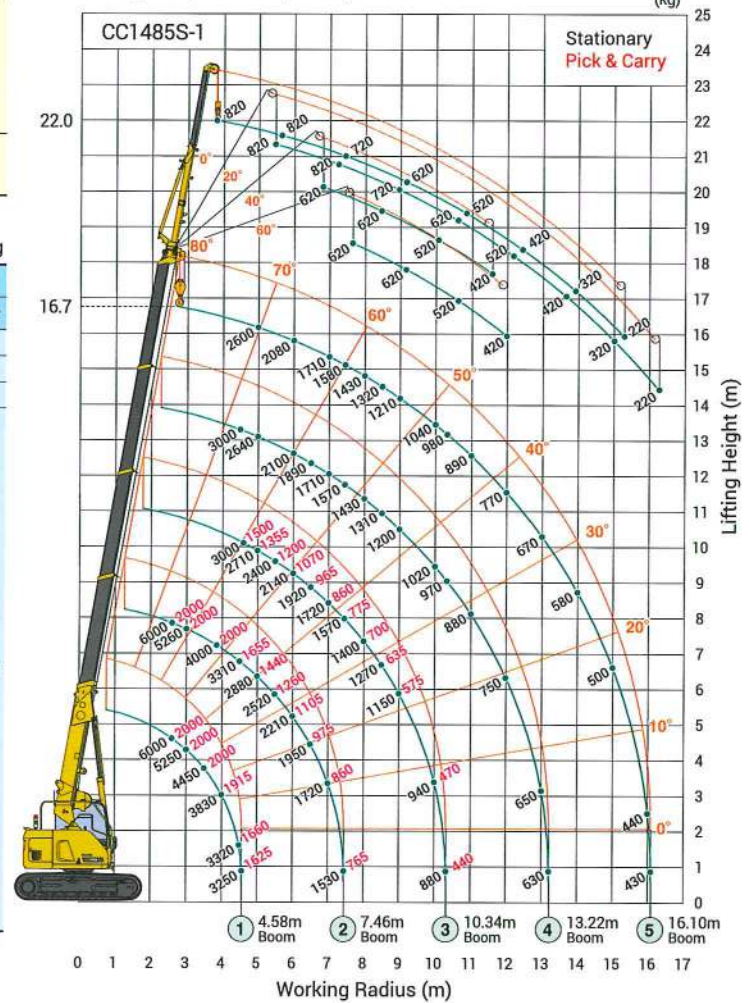
Specifications

Model		CC1485S-1
Crane capacity		6.0t x 2.6m
Max. working radius		16.1m
Max. lifting height		16.7m (22.0m with fly jib)
Max. reach below ground level		-24.5m (4 falls) / -50.5m (2 falls) / -103.5m (single fall)
Pick & Carry capacity		2.0t
Machine weight		14,400kg (14,700kg with fly jib)
Overall length x width x height		6,560mm x 2,490mm x 2,865mm
Winch system	Number of wire falls for Hook	4 falls / 2 falls
	Hook speed	32.0m/min [46.0m/min] (4 layers, 4 falls)
	Hoist wire rope	IWRC 6 x Fi (29) φ10mm x 115m
Telescopic system	Boom type	Fully automatic 5-section heptagonal telescopic boom
	Boom length	4.745m - 16.265m
	Boom telescoping stroke / time	11.52m / 33sec
Boom hoist system	Hoist angle / time	-4 to 80 degree / 19 sec
Slew system	Slew angle / time	360deg / 1.9rpm
Drive system	Travel speed Low	0-1.9km/h
	Travel speed High	0-3.2km/h
	Gradability	34deg
	Crawler ground length x width	2,880mm x 500mm
	Ground pressure	49.0kPa (0.50kg/cm ²) [50.0kPa (0.51kg/cm ²) with fly jib]
Engine	Model	ISUZU 4LE2XDPC
	Displacement	2.179L (2,179cc)
	Rated output	40.3kW/2,000min ⁻¹ (54.8PS/2,000rpm)
	Fuel / Fuel tank capacity	Diesel / 140.0L
Safety device	Hydraulic safety valve, Overwind protection, Wire rope latch, Level, Safety lock lever, Tilt alarm, EMO switch, Moment limiter, LED working status lamp, Rear view camera, Data logger	
Optional equipment	Rubber pads (weight 470kg), Single fall hook, Fly jib (820kg capacity)	

Dimensions



Working Range Chart (4falls)



Rated Total Load Chart (4 falls)

unit: kg

Working radius (m)	4.745m Boom		7.625m Boom		10.505m Boom		13.385m Boom		16.265m Boom	
	Stationary	Pick & Carry	Stationary	Pick & Carry	Stationary	Pick & Carry	Stationary	Pick & Carry	Stationary	Pick & Carry
2.00	6000	2000	6000	2000	3000	1500				
2.50	6000	2000	6000	2000	3000	1500	3000			
2.60	6000	2000	6000	2000	3000	1500	3000			
3.00	5250	2000	5260	2000	3000	1500	3000		2600	
3.20	4910	2000	4920	2000	3000	1500	3000		2600	
3.50	4450	2000	4460	2000	3000	1500	3000		2600	
3.85	4000	2000	4000	2000	3000	1500	3000		2600	
4.00	3830	1915	3820	1910	3000	1500	3000		2600	
4.50	3320	1660	3310	1655	3000	1500	3000		2600	
5.00			2880	1440	2710	1355	2640		2600	
6.00			2210	1105	2140	1070	2100		2080	
7.00			1720	860	1720	860	1710		1710	
7.50					1550	775	1560		1560	
8.00					1400	700	1430		1430	
9.00					1150	575	1200		1210	
10.00					940	470	1020		1040	
11.00							880		890	
12.00							750		770	
13.00							650		670	
14.00							580		580	
15.00							500		500	
16.00							440		440	
16.10							430		430	

*The Rated Total Load Chart is based on the actual working radius including boom deflection.
 *The weight of hook block (standard 4 fall/2fall -90kg) must be included as part of the load shown in the Rated Total Load Chart.
 *When using two fall or single fall hooks use the appropriate four fall Rated Total Load Chart above but with a maximum load of : Two fall-3000kg, Single fall-1500kg.

Due to improvements, the specifications are subject to change without notice.



MAEDA SEISAKUSHO CO.,LTD.

Head office | No.1095, Onbegawa, Shinonoi, Nagano-City, Nagano-Pref. 388-8522 Japan
 TEL.+81(0)26 292 2228 FAX.+81(0)26 293 8499
 URL : www.maedaminicranes.com E-mail : contact@maesei.co.jp