

# MANISCOPIC

# MHT 10210 L

Turbo *M Series*

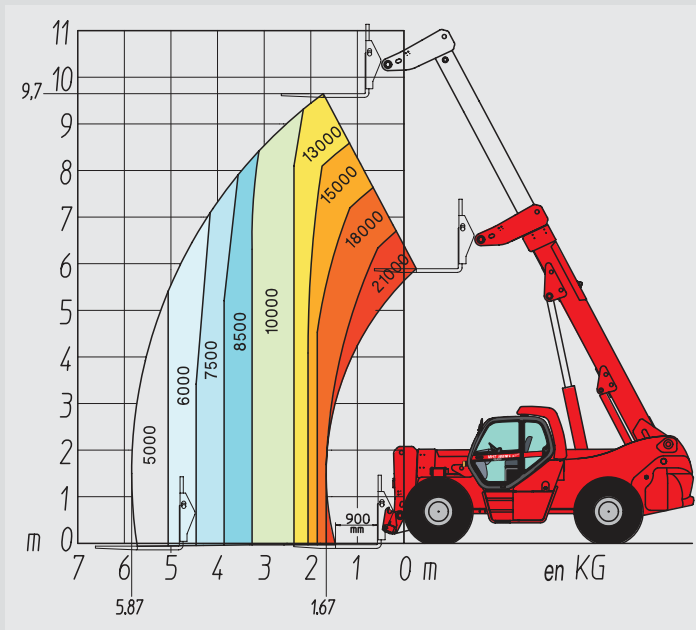


- Capacity: 21000 kg at 900 mm
- Lift height: 9.70 m
- Maximum forward reach: 5.87 m
- Engine: 175 HP
- 4 wheel steer – 4 wheel drive
- Hydrostatic transmission
- Frame levelling

 **MANITOU**

# MHT 10210 L TURBO

## LOAD CENTRE AT 900 MM



## CAPACITY / LIFTING HEIGHT

Load centre .....	at 900 mm	.....at 1200 mm
Lift capacity: .....	21000 kg	.....16000 kg
Capacity at max. height .....	13000 kg	.....12000 kg
Capacity at max. front reach.....	5000 kg	.....4600 kg
Lift height.....	9.70 m	.....9.70 m
Maximum front reach.....	5.87 m	.....6.17 m

## TRANSMISSION

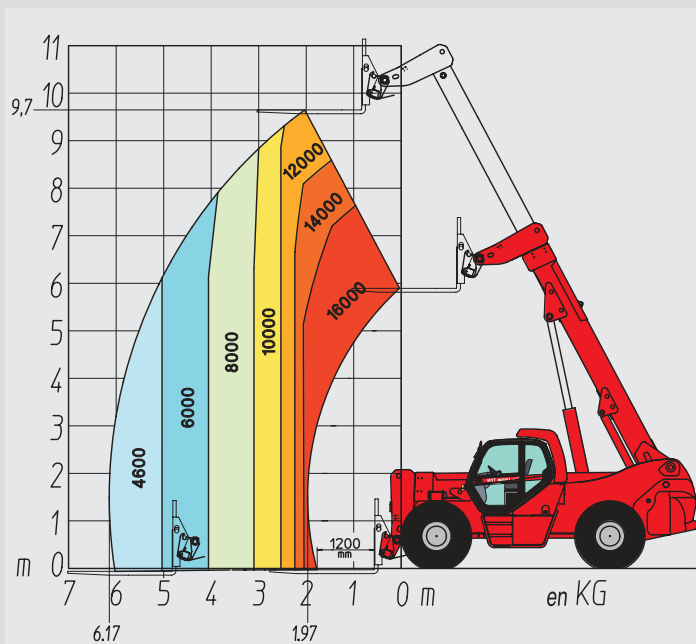
Hydrostatic transmission **REXROTH**

Hydrostatic variable flow pump .....	125 cm <sup>3</sup>
Hydrostatic variable cylinder engine .....	160 cm <sup>3</sup>
Reversing shift .....	electro-magnetic
Differential central : (inter-axles) .....	yes

2 forward and reverse speeds:

Low speed .....	8 km/h
Fast speed .....	25 km/h

## LOAD CENTRE AT 1200 MM



## HYDRAULICS

### Main pump:

High pressure piston pump REXROTH Load Sensing

Capacity: .....	75 cm <sup>3</sup>
Maximum pressure: .....	350 bar
Flow .....	165 L/mn

### Steering pump:

Type .....	Load Sensing
Maximum pressure: .....	210 bar

### Power brake circuit pump

Gear type .....	
Capacity.....	25.7 cm <sup>3</sup>
Maximum pressure .....	40 bar
Flow .....	56 L/mn

### Hydraulic oil radiator:

- 4 electrical fans
- 2 continuous fans
- 2 automatic fans

### Distributor:

High flow hydraulic proportional REXROTH (300 L/mn) with 4 closed centre elements

### Drive type:

Proportional joystick on all movements

### Flexibles:

TP tube type with high pressure type flexible links

### Filtration degree (micron):

Suction .....	250 mic.
Return .....	10 mic.
Filtration air tank.....	10 mic.

## ENGINE

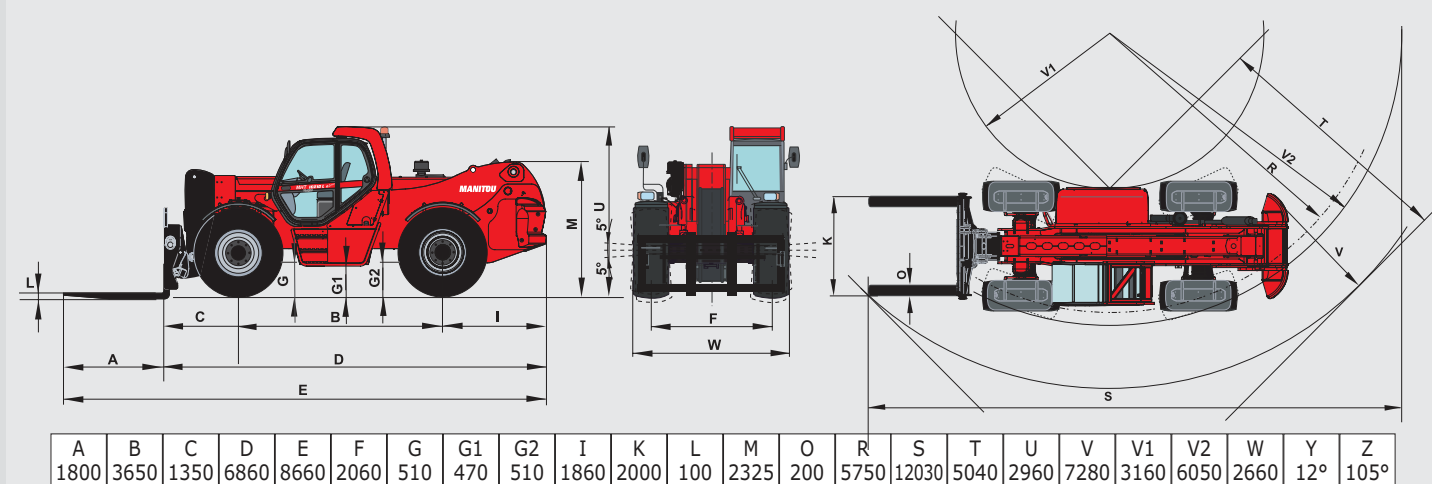
Diesel MERCEDES OM 904 LA Turbo – Intercooler – Air/Air

Capacity.....	4 cylinders / 4250 cm <sup>3</sup>
Power (ISO/TR 14396) .....	175 HP / 129 kw
Rated speed.....	2200 r.p.m.
Maximum torque at 1200 r.p.m.....	675 Nm
Electronic injection	

Fan .....	puller
Cooling .....	water

Anti-polluting standards .....	TIER 3
Air filter (type / micron) .....	cartridge/3
Battery.....	12 Volts
Capacity .....	120 Ah

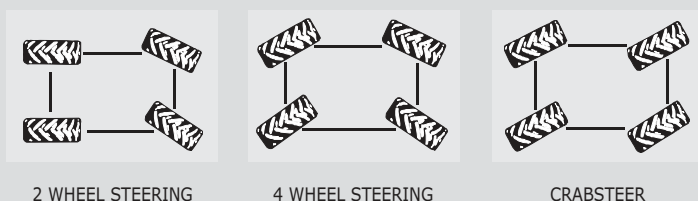
## DIAGRAMS



\* With tyres 23,5 R25 XLB

### AXLES

Heavy Duty axles with oil bath epicyclic reduction with 3 satellites  
 Integrated steering cylinders with double action in high position  
 Frame levelling.....5° /5° on front axle  
 3 steering modes:



### BRAKES

Type.....oil bath multidiscs in both axles  
 Drive type.....Hydraulic  
 Parking brake on front and rear axles  
 Oil bath multidisc negative parking brake

### TYRES

- Model.....23,5 R25 XLB  
 .....ou 18.00 R25 XZM2  
 - Pressure .....8 bar  
 - Drawbar pull .....17400 daN

### LIFTING/TELESCOPING MOTIONS

Unloaded lifting.....32 sec  
 Unloaded lowering.....18.5 sec  
 Unloaded extending internal telescope .....14 sec  
 Unloaded retracting internal telescope.....11 sec

### FORKS

Standard equipment..... TFF MT 2000, floating forks  
 Dimensions.....200 x 100 x 1800 mm  
 Weight of forks .....660 kg

### CAPACITIES

Cooling circuit .....16 L  
 Engine oil .....8.1 L  
 Equipment hydraulic oil .....290 L  
 Fuel tank .....200 L

### WEIGHT

Total weight without equipment .....26890 kg  
 Total weight unloaded with equipment .....28350 kg  
 Total weight laden with forks .....49350 kg

Load on axle with standard equipment (unloaded)  
 On front axle, boom retracted .....9320 kg  
 On rear axle, boom retracted .....19030 kg

Load on axle with standard equipment (loaded)  
 On front axle, boom retracted .....44250 kg  
 On rear axle, boom retracted .....51000 kg

### STANDARD EQUIPMENTS

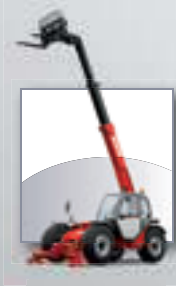
- ROPS-FOPS cabin
- GRAMMER seat
- Front and rear wipers
- Driving lights
- Rotating beacon
- Left rearview mirror
- Safety device with automatic lock of aggravating movements
- Safety valves on cylinders
- Heating
- TFF

### OPTIONS

- Air conditioning
- Comfort seat
- Roof wipers
- Cabin rearview mirror

# Manitou, material handling world leader

Inventor of the rough terrain forklift truck, Manitou offers today the most comprehensive range to meet all specific handling and personal lifting requirements :



**MANISCOPIC**  
Telescopic trucks



**MANITOU**  
Rough terrain and semi industrial masted trucks



**MANIACCESS**  
Access equipment



**Twisco**  
Compact telescopic handler



**MANIHOE**  
Backhoe/Loader with telescopic boom



**MANITRANSIT**  
Truck mounted forklifts



**MANILOADER**  
Articulated wheeled loaders



**MANILEC**  
Electric pallet trucks and electric stackers

## A network of skilled professionals at your service !

With a network of 600 service and parts centres in more than 120 countries, Manitou provides an efficient after-sales support based on the expertise of thousands of factory trained technicians.



The equipment supplied with each model may differ from that described in this leaflet. For more details, contact your MANITOU dealer.