

# MLT-X735

TECHNICAL DATA SHEET



 **MANITOU**

[www.manitou.com](http://www.manitou.com)

# MLT-X735

	MLT-X 735 TLSU	MLT-X 735-120 LSU
	<b>Lifting capacity</b> at 500 mm from fork heels	
	3500 kg	
	<b>Break-out force</b>	
	3600 daN	3700 daN
	<b>Lifting height</b>	
	6.90 m	
	<b>Time: laden/unladen (in sec)</b>	
	Lifting	
	7.30/7.50	6.70/7.30
	Lowering	
	5.60/5.60	4.80/4.60
	Extension	
	8.20/8.30	7.10/7.30
	Retraction	
6.60/6.80	5.70/5.50	
Crowd		
3.20	2.00	
Dump		
2.70	2.30	
	460/70 R24	
	<b>Forks (mm)</b>	
	Length x width x thickness	
1200 x 125 x 45		
Carriage rotation		
146°		
	multiple-disk brake with oil bath on front and rear axles	
	<b>PERKINS STAGE III A engine</b>	
	1104D-44TA	1104E-44 TA
	Cubic capacity	
	4 cyl. Turbo/4400 cm <sup>3</sup>	
	Power at 2200 rpm (ISO/TR 14396)	
	101 HP/74.5 kW	124 HP/91 kW
Max. torque at 1400 rpm (ISO/TR 14396)		
410 Nm	490 Nm	
Injection		
direct		
Cooling		
water		
	<b>Transmission</b>	
	torque converter	
	Gearbox	
	Powershuttle	
Number of gears (forward/reverse)		
4/4		
Max. travel speed		
35 kph*		
	<b>Hydraulics</b>	
	110 l/min - 270 bar	150 l/min - 270 bar
	Piston pump	variable cubic capacity
electronically controlled	variable cubic capacity	
Control valve		
DDIC		
	<b>Capacities</b>	
	Hydraulic oil	
135 l		
Fuel		
120 l		
	<b>Unladen weight (with forks)</b>	
	7075 kg	7100 kg
	<b>Width overall</b>	
	2.40 m	
	<b>Height overall</b>	
	2.30 m	
	<b>Length overall</b>	
	4.87 m	
	<b>Turning radius (outer wheels)</b>	
	3.77 m	
<b>Ground clearance</b>		
0.44 m		
<b>Drawbar pull</b>		
up to 8770 daN		
<b>Noise at driving position (LpA)</b>		
79 dB		
<b>Environmental noise (LwA)</b>		
106 dB		
<b>Vibration to whole hand/arm</b>		
< 2.5 m/s <sup>2</sup>		

mm	
A	1200
B	2810
C	1191.4
C1	1287
D	4790.4
D1	4886

D2	4165
E	5990.4
F	1935
F1	1935
G	450
G1	435
G2	435

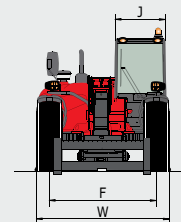
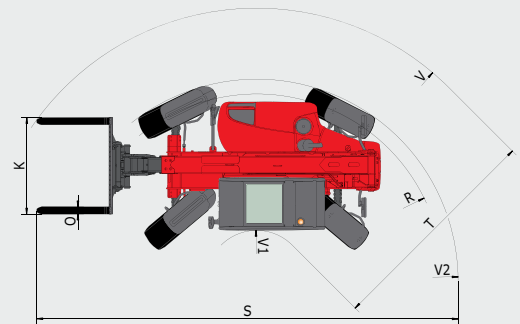
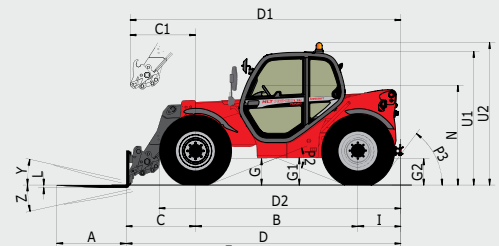
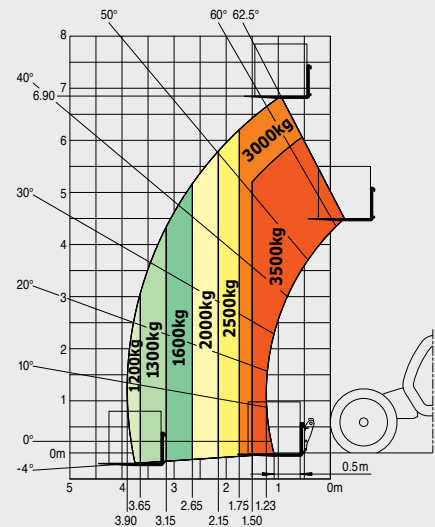
I	789
J	980
K	1260
L	45
N	1715
O	125
P2	38°

P3	53°
R	3685
S	7714.9
T	3575
U1	2295
U2	2545
V	4885

V1	1310
V2	3918.5
W	2402
Y	12.5°
Z	133.7°

## Maximum height reach: 1.03 m

As per standard EN 1459 annex B



This brochure describes versions and configuration options for Manitou products which may be fitted with different equipment. The equipment described in this brochure may be standard, optional or not available depending on version. Manitou reserves the right to change the specifications shown and described at any time and without prior warning. The manufacturer is not liable for the specifications given. For more information, contact your Manitou dealer. Non-contractual document. Product descriptions may differ from actual products. List of specifications is not comprehensive. The logos and visual identity of the company are the property of Manitou and may not be used without authorisation. All rights reserved. The photos and diagrams contained in this brochure are provided for information only.

MANITOU BF SA - Limited company with board of directors - Share capital: 39,547,824 euros - 857 802 508 RCS Nantes

