

 **TEREX | DEMAG**

**AC 140** | All Terrain Crane 170 t Lifting Capacity

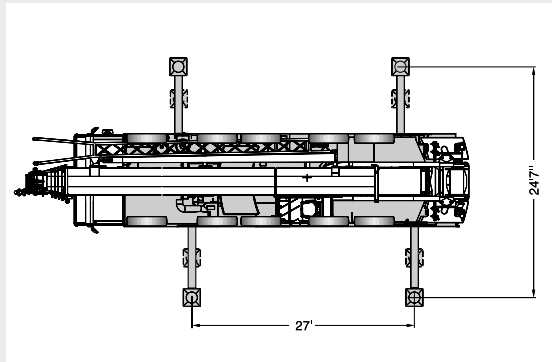
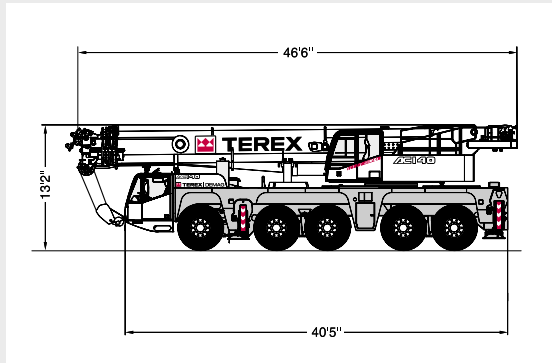
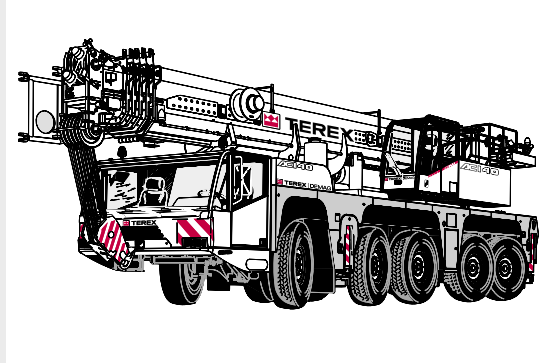


# AC 140

**ALL TERRAIN CRANE**

AC 140  
HIGHLIGHTS

- ▶ 17,650 lb counterweight carried on the crane giving just 26,450 lb axle load
- ▶ 196.9 ft main boom and optional 29.9 ft to 108.3 ft boom extension
- ▶ State-of-the-art engine and transmission ensure high travel comfort
- ▶ Speed-dependent rear axle steering for increased maneuverability and driving stability
- ▶ Innovative Demag IC-1 crane control system with touchscreen



**CONTENTS**

Page:

**Technical data**

Dimensions .....	4
Axle weight with dolly .....	6
Specifications .....	7

1

**Main boom**

Working ranges .....	8
Lifting capacities .....	9

2

**Main boom extension**

Working ranges .....	12
Lifting capacities .....	13
Working ranges .....	16

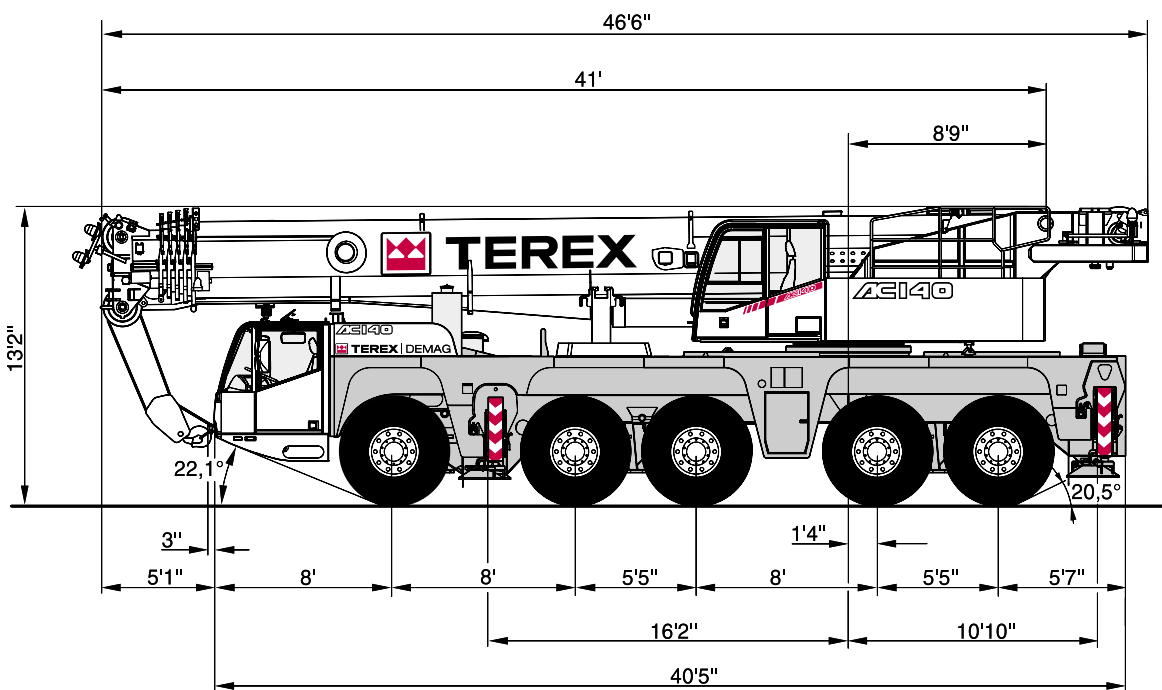
3

**Technical description**

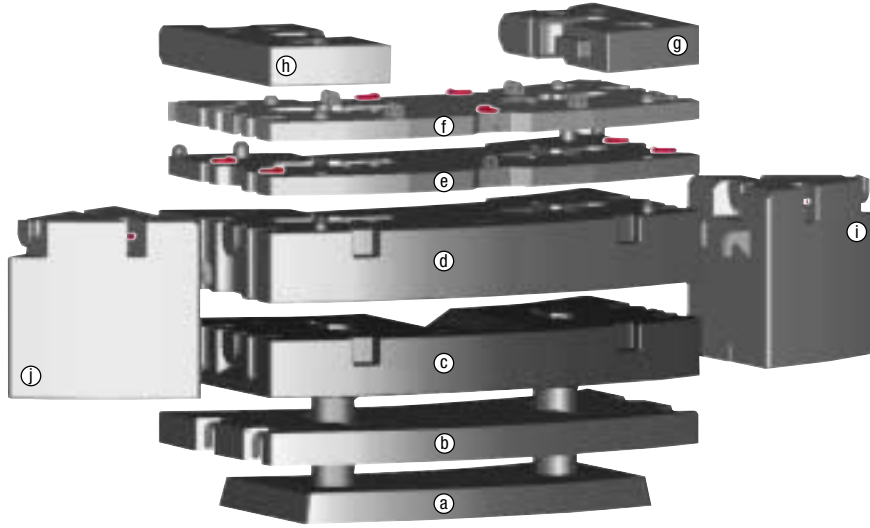
Carrier · Superstructure · Optional equipment .....	17
---	----

4

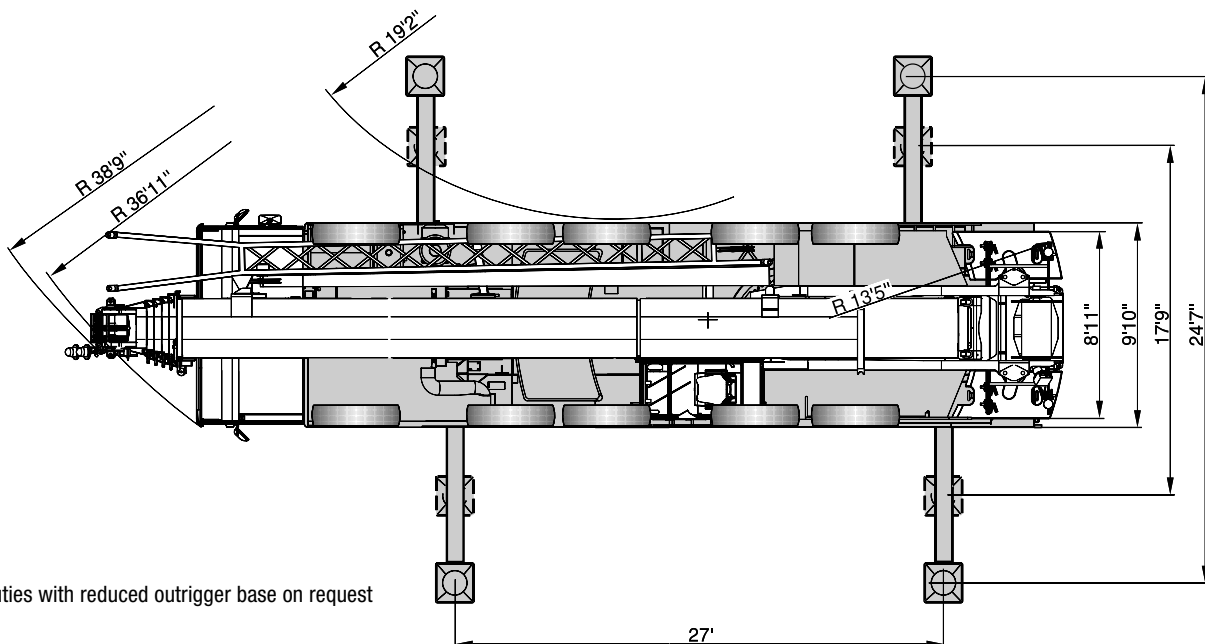
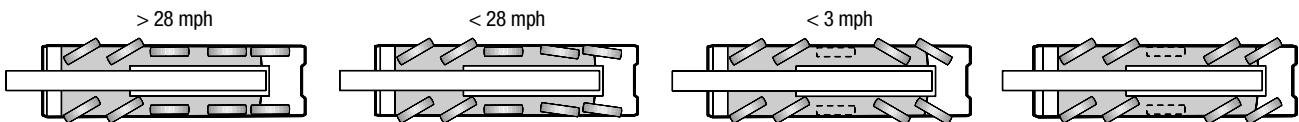
**DIMENSIONS**



**DIMENSIONS**



	Ⓐ 8,200 lb	Ⓑ 4,400 lb	Ⓒ 17,400 lb	Ⓓ 21,100 lb	Ⓔ 5,700 lb	Ⓕ 5,700 lb	Ⓖ 2,900 lb	Ⓗ 2,900 lb	Ⓚ 8,800 lb	Ⓛ 8,800 lb
0 lb										
13,900 lb	X						X	X		
18,300 lb	X	X					X	X		
23,800 lb	X	X				X	X	X		
29,800 lb	X	X			X	X	X	X		
29,800 lb	X	X	X							
41,500 lb	X	X	X			X	X	X		
47,100 lb	X	X	X		X	X	X	X		
51,200 lb	X	X	X	X						
56,900 lb	X	X	X	X			X	X		
62,600 lb	X	X	X	X	X	X				
68,300 lb	X	X	X	X	X	X	X	X		
68,300 lb	X	X	X	X					X	X
86,000 lb	X	X	X	X	X	X	X	X	X	X



\* Duties with reduced outrigger base on request

**AXLE WEIGHT WITH DOLLY AC 140**

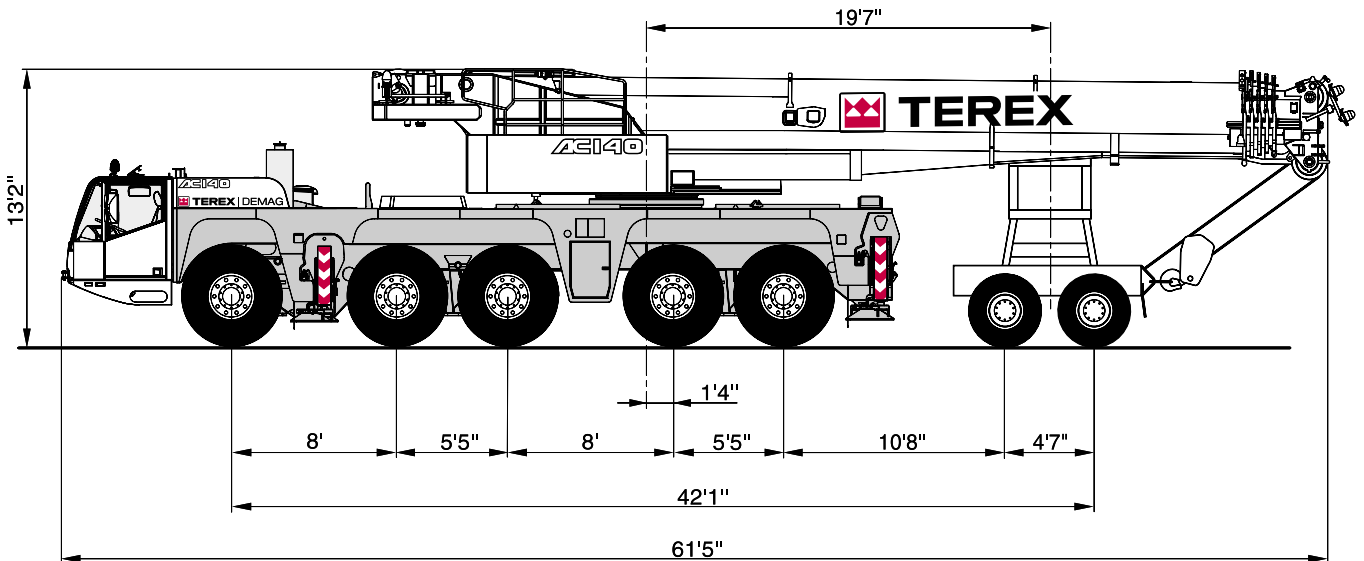
**CRANE CONFIGURATION**

Drive	10 x 8 x 8
Tires	20.5 R 25
Outrigger front	
Outrigger rear	
Hook block 1-sheave	
2-axle boom dolly	5.700 lb

**AXLES**

Axle	1	2	3	4	5	6	7	Total weight
Weight	19,200 lb	19,200 lb	17,200 lb	17,200 lb	17,000 lb	17,450 lb	17,450 lb	124,700 lb

More configurations on request!



**SPECIFICATIONS**

**AXLE LOADS**

UFL 1-sheave, main boom extension 55.8 ft, 13,700 lb counterweight

UFL 1-sheave, 17,600 lb counterweight

Axles

5 x 26,500 lb

Total weight

132,500 lb

Additional versions and axle loads for offroad travelling on request.

**WORKING SPEEDS (INFINITELY VARIABLE)**

Mechanisms	Normal speed	High speed <sup>2)</sup>	Max. permissible line pull <sup>1)</sup>	Rope diameter / Rope length
Hoist I	148 ft/min	476 ft/min	18,200 lb	0.83" / 1000 ft
Hoist II	148 ft/min	476 ft/min	18,200 lb	0.83" / 1000 ft
Slewing				max. 1.7 <sup>1)</sup> /min
Boom elevation				-1.5° - +82°

**CARRIER PERFORMANCE**

Travel speed

0 . . 53 mph

Gradeability

70 %

**HOOK BLOCK / SINGLE LINE HOOK**

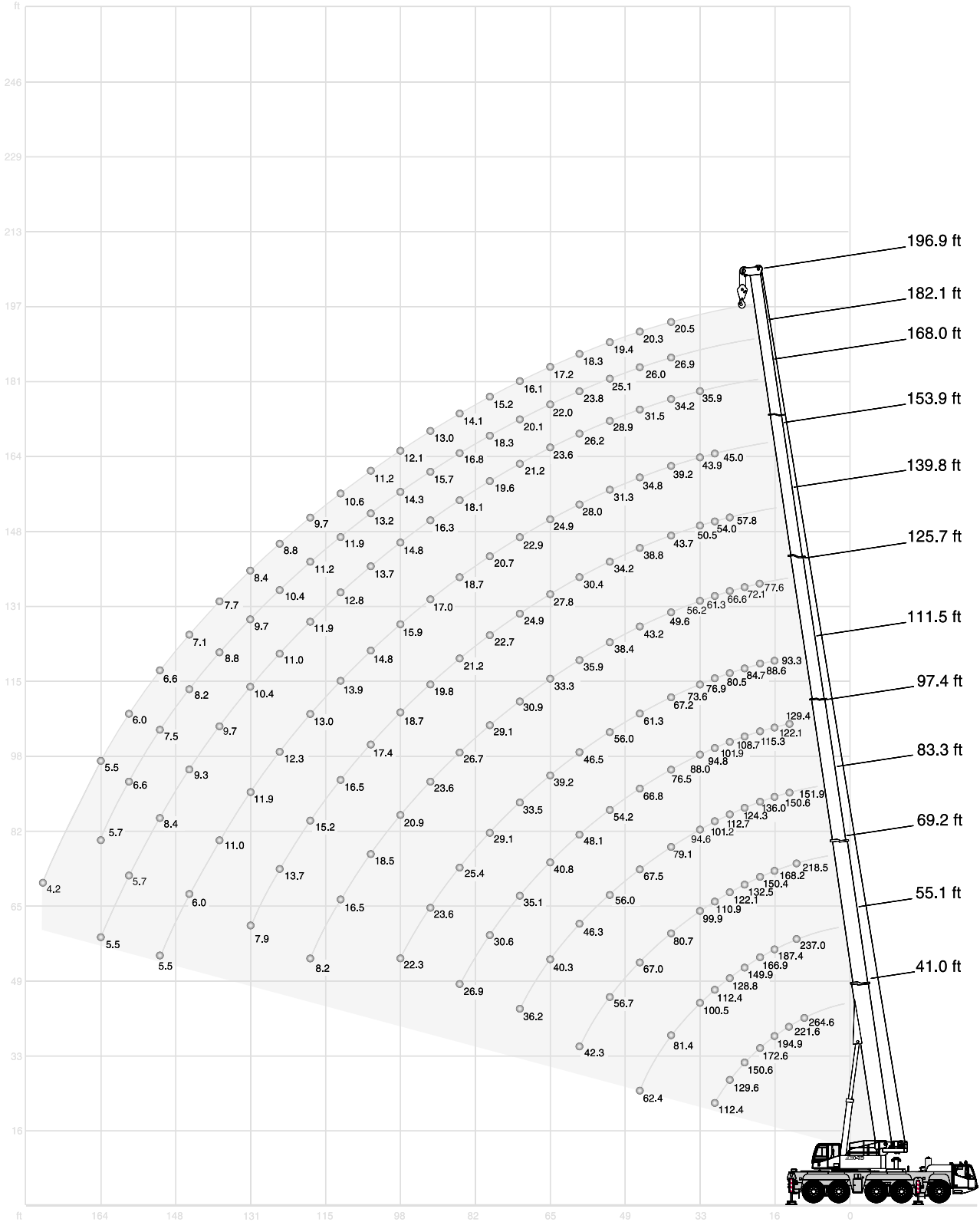
Type	Possible load <sup>1)</sup>	Number of sheaves	Weight	„D“	Number of lines	Heavy-lift attachment
200	296,500 lb	9	3,860 lb	9.8 ft	18	4 add'l. sheaves + hoist 2
100	219,350 lb	7	2,200 lb	9.8 ft	13	2 add'l. sheaves
80	171,300 lb	5	2,050 lb	9.8 ft	10	
63	121,700 lb	3	1,550 lb	9.8 ft	7	
32	53,150 lb	1	1,200 lb	8.6 ft	3	
8	17,650 lb	Single line hook	550 lb	6.6 ft	1	

**Remarks**

<sup>1)</sup> varies depending on national regulations

<sup>2)</sup> at max. rope's layer

**WORKING RANGES MAIN BOOM**





**LIFTING CAPACITIES MAIN BOOM**

86,000 lb  360° **85 %**

Radius	Main boom												Radius	
	ft	41.0	55.1	69.2	83.3	97.4	111.5	125.7	139.8	153.9	168.0	182.1		196.9
ft	340.0*	-	-	-	-	-	-	-	-	-	-	-	-	ft
		1,000 lb												
10	264.6	237.0	218.5	151.9	-	-	-	-	-	-	-	-	-	10
12	238.1	223.8	203.9	145.5	-	-	-	-	-	-	-	-	-	12
13	221.6	213.4	189.6	166.2	129.4	-	-	-	-	-	-	-	-	13
15	207.7	199.5	178.8	158.3	125.7	-	-	-	-	-	-	-	-	15
16	194.9	187.4	168.2	150.6	122.1	93.3	-	-	-	-	-	-	-	16
20	172.6	166.9	150.4	136.0	115.3	88.6	77.6	-	-	-	-	-	-	20
23	150.6	149.9	132.5	124.3	108.7	84.7	72.1	-	-	-	-	-	-	23
26	129.6	128.8	122.1	112.7	101.9	80.5	66.6	57.8	-	-	-	-	-	26
30	112.4	112.4	110.9	101.2	94.8	76.9	61.3	54.0	45.0	-	-	-	-	30
33	-	100.5	99.9	94.6	88.0	73.6	56.2	50.5	43.9	35.9	-	-	-	33
39	-	81.4	80.7	79.1	76.5	67.2	49.6	43.7	39.2	34.2	26.9	20.5	-	39
46	-	62.4	67.0	67.5	66.8	61.3	43.2	38.8	34.8	31.5	26.0	20.3	-	46
53	-	-	56.7	56.0	54.2	56.0	38.4	34.2	31.3	28.9	25.1	19.4	-	53
59	-	-	42.3	46.3	48.1	46.5	35.9	30.4	28.0	26.2	23.8	18.3	-	59
66	-	-	-	40.3	40.8	39.2	33.3	27.8	24.9	23.6	22.0	17.2	-	66
72	-	-	-	36.2	35.1	33.5	30.9	24.9	22.9	21.2	20.1	16.1	-	72
79	-	-	-	-	30.6	29.1	29.1	22.7	20.7	19.6	18.3	15.2	-	79
85	-	-	-	-	26.9	25.4	26.7	21.2	18.7	18.1	16.8	14.1	-	85
92	-	-	-	-	-	23.6	23.6	19.8	17.0	16.3	15.7	13.0	-	92
98	-	-	-	-	-	22.3	20.9	18.7	15.9	14.8	14.3	12.1	-	98
105	-	-	-	-	-	-	18.5	17.4	14.8	13.7	13.2	11.2	-	105
112	-	-	-	-	-	-	16.5	16.5	13.9	12.8	11.9	10.6	-	112
118	-	-	-	-	-	-	8.2	15.2	13.0	11.9	11.2	9.7	-	118
125	-	-	-	-	-	-	-	13.7	12.3	11.0	10.4	8.8	-	125
131	-	-	-	-	-	-	-	7.9	11.9	10.4	9.7	8.4	-	131
138	-	-	-	-	-	-	-	-	11.0	9.7	8.8	7.7	-	138
144	-	-	-	-	-	-	-	-	6.0	9.3	8.2	7.1	-	144
151	-	-	-	-	-	-	-	-	5.5	8.4	7.5	6.6	-	151
158	-	-	-	-	-	-	-	-	-	5.7	6.6	6.0	-	158
164	-	-	-	-	-	-	-	-	-	5.5	5.7	5.5	-	164
177	-	-	-	-	-	-	-	-	-	-	-	4.2	-	177
190	-	-	-	-	-	-	-	-	-	-	-	-	-	190

**Remarks**

\* with special attachment, on request



### LIFTING CAPACITIES MAIN BOOM

 47,200 lb  360° **85 %**

Radius	Main boom													Radius
	ft	41.0	55.1	69.2	83.3	97.4	111.5	125.7	139.8	153.9	168.0	182.1	196.9	
ft	1,000 lb													ft
10	264.6	237.0	218.5	151.9	-	-	-	-	-	-	-	-	-	10
12	238.1	223.8	203.9	145.5	-	-	-	-	-	-	-	-	-	12
13	221.6	213.4	189.6	166.2	129.4	-	-	-	-	-	-	-	-	13
15	207.7	199.5	178.8	158.3	125.7	-	-	-	-	-	-	-	-	15
16	194.7	187.4	168.2	150.6	122.1	93.3	-	-	-	-	-	-	-	16
20	160.5	159.8	150.4	136.0	115.3	88.6	77.6	-	-	-	-	-	-	20
23	134.3	133.6	131.8	124.3	108.7	84.7	72.1	-	-	-	-	-	-	23
26	115.1	115.7	115.1	112.7	101.9	80.5	66.6	57.8	-	-	-	-	-	26
30	99.6	100.8	100.1	95.7	93.0	76.9	61.3	54.0	45.0	-	-	-	-	30
33	-	83.3	82.5	84.9	80.2	73.6	56.2	50.5	43.9	35.9	-	-	-	33
39	-	61.7	62.2	61.3	63.3	61.3	49.6	43.7	39.2	34.2	26.9	20.5	-	39
46	-	42.1	48.9	49.8	48.7	47.0	43.2	38.8	34.8	31.5	26.0	20.3	-	46
53	-	-	40.1	39.9	38.8	37.3	38.4	34.2	31.3	28.9	25.1	19.4	-	53
59	-	-	26.0	32.8	31.7	33.3	31.7	29.3	28.0	26.2	23.8	18.3	-	59
66	-	-	-	27.6	28.0	27.8	26.5	26.7	24.0	23.6	22.0	17.2	-	66
72	-	-	-	23.6	24.7	23.6	22.7	22.9	21.4	20.5	20.1	16.1	-	72
79	-	-	-	-	21.4	20.3	20.7	19.6	19.4	18.5	18.3	15.2	-	79
85	-	-	-	-	18.7	17.6	18.1	16.8	16.5	16.3	15.4	14.1	-	85
92	-	-	-	-	-	16.3	15.7	15.7	14.8	13.9	13.0	12.8	-	92
98	-	-	-	-	-	14.8	13.7	13.4	12.8	11.9	10.8	10.8	-	98
105	-	-	-	-	-	-	12.1	11.7	11.0	10.1	9.0	9.0	-	105
112	-	-	-	-	-	-	-	11.2	10.4	9.5	8.6	7.5	-	112
118	-	-	-	-	-	-	-	8.2	9.0	8.2	7.3	6.2	-	118
125	-	-	-	-	-	-	-	-	7.9	7.3	6.2	5.1	-	125
131	-	-	-	-	-	-	-	-	7.1	6.2	5.1	4.2	-	131
138	-	-	-	-	-	-	-	-	-	5.3	4.2	3.1	-	138
144	-	-	-	-	-	-	-	-	-	4.4	3.3	2.2	-	144
151	-	-	-	-	-	-	-	-	-	3.7	2.6	1.5	-	151
158	-	-	-	-	-	-	-	-	-	-	2.0	-	-	158

 13,900 lb  360° **85 %**

Radius	Main boom													Radius
	ft	41.0	55.1	69.2	83.3	97.4	111.5	125.7	139.8	153.9	168.0	182.1	196.9	
ft	1,000 lb													ft
10	264.6	237.0	218.5	151.9	-	-	-	-	-	-	-	-	-	10
12	238.1	223.8	203.9	145.5	-	-	-	-	-	-	-	-	-	12
13	221.6	213.4	189.6	166.2	129.4	-	-	-	-	-	-	-	-	13
15	201.5	199.5	178.8	158.3	125.7	-	-	-	-	-	-	-	-	15
16	178.1	177.5	168.2	150.6	122.1	93.3	-	-	-	-	-	-	-	16
20	144.2	142.0	130.3	118.8	108.7	88.6	77.6	-	-	-	-	-	-	20
23	110.9	110.7	102.5	96.1	87.7	83.3	72.1	-	-	-	-	-	-	23
26	81.6	85.8	84.9	79.6	76.1	68.3	63.3	57.8	-	-	-	-	-	26
30	63.5	69.0	68.6	69.2	63.5	57.1	53.6	50.5	45.0	-	-	-	-	30
33	-	56.0	57.8	57.5	54.0	50.5	48.7	43.9	40.8	35.9	-	-	-	33
39	-	39.7	41.0	41.0	41.9	41.0	37.5	36.4	34.0	30.4	26.9	20.5	-	39
46	-	23.1	31.1	32.8	32.4	31.3	32.0	29.8	28.7	26.2	24.3	20.3	-	46
53	-	-	25.4	26.0	25.6	26.0	25.1	24.9	23.1	21.2	19.2	18.5	-	53
59	-	-	17.2	20.9	21.4	21.2	20.9	20.1	19.0	17.0	15.4	14.6	-	59
66	-	-	-	17.6	17.6	17.6	17.2	16.8	15.4	13.7	12.1	11.2	-	66
72	-	-	-	14.8	14.8	14.8	14.3	13.7	12.6	11.0	9.5	8.6	-	72
79	-	-	-	-	12.6	12.1	11.7	11.0	10.1	8.8	7.3	6.6	-	79
85	-	-	-	-	10.6	10.1	9.7	9.0	8.2	6.8	5.5	4.9	-	85
92	-	-	-	-	-	8.6	8.2	7.5	6.6	5.3	4.0	3.5	-	92
98	-	-	-	-	-	7.1	6.6	6.0	5.1	4.0	2.9	2.2	-	98
105	-	-	-	-	-	-	5.5	4.6	4.0	2.9	1.8	-	-	105
112	-	-	-	-	-	-	-	4.4	3.7	2.9	1.8	-	-	112
118	-	-	-	-	-	-	-	3.5	2.9	2.0	-	-	-	118
125	-	-	-	-	-	-	-	-	2.0	-	-	-	-	125
131	-	-	-	-	-	-	-	-	-	-	-	-	-	131

**LIFTING CAPACITIES MAIN BOOM**

0 lb

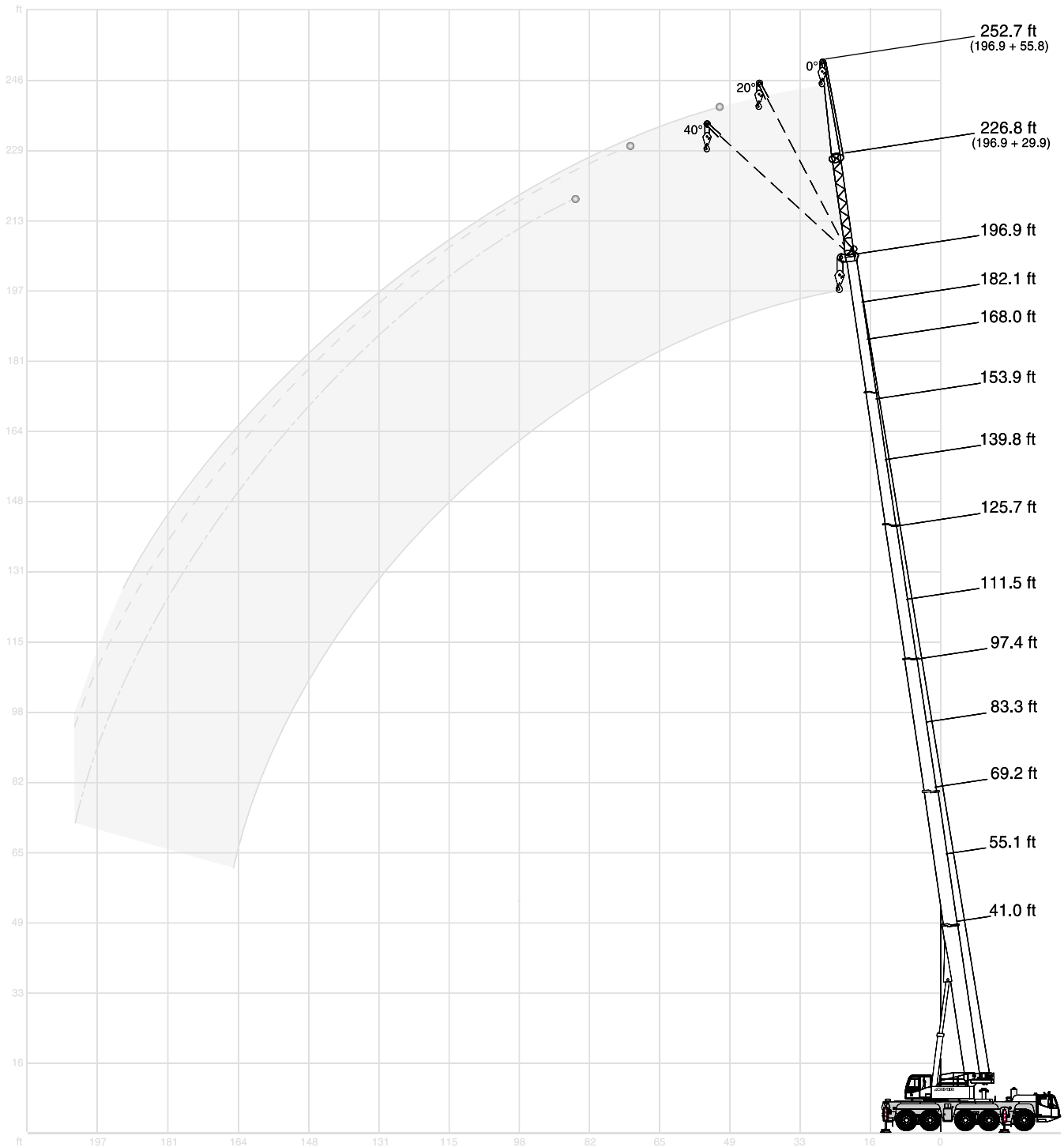
360°

85 %


Radius	Main boom													Radius
	ft	41.0	55.1	69.2	83.3	97.4	111.5	125.7	139.8	153.9	168.0	182.1	196.9	
ft	1,000 lb													ft
10	264.6	237.0	218.5	151.9	-	-	-	-	-	-	-	-	-	10
12	238.1	223.8	203.9	145.5	-	-	-	-	-	-	-	-	-	12
13	219.6	213.4	188.5	161.4	129.4	-	-	-	-	-	-	-	-	13
15	192.9	189.6	161.6	133.8	117.1	-	-	-	-	-	-	-	-	15
16	170.4	153.4	132.1	118.4	100.3	92.6	-	-	-	-	-	-	-	16
20	117.1	110.2	100.5	92.4	82.9	73.6	64.6	-	-	-	-	-	-	20
23	77.6	84.0	79.4	74.3	66.1	61.1	55.6	-	-	-	-	-	-	23
26	56.4	61.9	63.7	60.6	54.7	52.7	48.3	44.5	-	-	-	-	-	26
30	43.4	48.3	49.8	49.6	49.6	44.8	42.8	40.1	36.8	-	-	-	-	30
33	-	38.8	40.3	42.3	41.9	39.9	37.0	34.8	32.0	28.7	-	-	-	33
39	-	27.1	29.3	30.0	30.6	30.2	29.5	26.9	24.5	21.8	19.6	18.3	-	39
46	-	13.9	22.0	22.9	22.9	22.9	22.7	21.2	19.2	16.8	15.0	13.9	-	46
53	-	-	17.4	17.9	18.3	17.9	17.6	16.8	15.2	13.0	11.2	10.6	-	53
59	-	-	13.7	14.1	14.6	14.3	13.9	13.4	12.1	10.1	8.6	7.9	-	59
66	-	-	-	11.5	11.9	11.5	11.2	10.6	9.5	7.7	6.2	5.7	-	66
72	-	-	-	9.3	9.7	9.3	9.0	8.6	7.5	5.7	4.4	3.7	-	72
79	-	-	-	-	7.9	7.7	7.3	6.8	5.7	4.2	2.9	2.2	-	79
85	-	-	-	-	6.6	6.2	6.0	5.5	4.4	2.9	-	-	-	85
92	-	-	-	-	-	5.1	4.6	4.0	3.1	1.5	-	-	-	92
98	-	-	-	-	-	4.0	3.5	2.9	2.0	-	-	-	-	98
105	-	-	-	-	-	-	2.6	1.8	-	-	-	-	-	105
112	-	-	-	-	-	-	1.8	-	-	-	-	-	-	112
118	-	-	-	-	-	-	-	-	-	-	-	-	-	118



**WORKING RANGES MAIN BOOM EXTENSION**



LIFTING CAPACITIES MAIN BOOM EXTENSION

86,000 lb  360° 85 %

41.0 ft Main boom		Extension					
Radius	29.9 ft			55.8 ft			
	0°	20°	40°	0°	20°	40°	
ft	1,000 lb						
10	35.7	-	-	23.4	-	-	
12	35.7	-	-	22.5	-	-	
13	35.7	-	-	21.6	-	-	
15	34.8	-	-	20.7	-	-	
16	34.0	25.4	-	20.1	-	-	
20	31.7	23.8	-	18.5	-	-	
23	29.5	22.5	-	17.2	-	-	
26	27.8	21.4	17.2	16.1	-	-	
30	25.8	20.5	16.5	15.0	12.1	-	
33	24.0	19.6	16.1	14.1	11.5	-	
39	21.4	18.1	15.0	12.8	10.6	-	
46	19.2	16.8	14.1	11.5	9.7	8.4	
53	17.6	15.9	13.9	10.4	8.8	7.7	
59	16.3	15.9	-	9.5	8.4	7.5	
66	-	-	-	8.6	7.7	7.1	
72	-	-	-	7.9	7.3	6.8	
79	-	-	-	7.5	7.1	6.8	
85	-	-	-	-	6.8	-	
92	-	-	-	-	-	-	
98	-	-	-	-	-	-	
105	-	-	-	-	-	-	
112	-	-	-	-	-	-	
118	-	-	-	-	-	-	

139.8 ft Main boom		Extension					
Radius	29.9 ft			55.8 ft			
	0°	20°	40°	0°	20°	40°	
ft	1,000 lb						
33	29.5	-	-	15.7	-	-	
39	27.8	-	-	14.8	-	-	
46	26.2	19.8	-	13.9	-	-	
53	24.7	19.0	15.4	13.0	10.1	-	
59	23.4	18.3	15.0	12.3	9.5	-	
66	22.3	17.6	14.6	11.7	9.3	-	
72	20.9	17.0	14.3	11.2	8.8	7.3	
79	19.4	16.3	14.1	10.6	8.4	7.1	
85	17.9	15.7	13.9	10.1	8.2	6.8	
92	16.3	15.0	13.7	9.7	7.7	6.8	
98	14.8	14.3	13.4	9.3	7.5	6.6	
105	13.7	13.4	13.2	8.8	7.3	6.4	
112	12.6	12.8	12.8	8.4	7.1	6.4	
118	11.7	11.9	11.9	7.9	6.8	6.4	
125	10.8	11.0	11.0	7.7	6.6	6.2	
131	9.9	10.1	10.1	7.5	6.6	6.2	
138	9.5	9.3	9.5	7.3	6.4	6.2	
144	9.0	9.0	9.3	6.8	6.4	6.2	
151	8.6	8.6	4.6	6.6	6.2	6.2	
158	4.4	4.4	-	6.4	6.2	6.2	
164	-	-	-	6.2	6.0	6.2	
177	-	-	-	6.0	5.7	3.1	
190	-	-	-	-	-	-	

168.0 ft Main boom		Extension					
Radius	29.9 ft			55.8 ft			
	0°	20°	40°	0°	20°	40°	
ft	1,000 lb						
39	22.5	-	-	-	-	-	
46	21.8	-	-	12.3	-	-	
53	20.9	17.6	-	11.9	-	-	
59	20.3	17.0	14.3	11.2	-	-	
66	19.2	16.5	14.1	10.8	8.8	-	
72	17.9	15.9	13.9	10.4	8.4	-	
79	16.5	15.2	13.7	9.9	8.2	6.8	
85	15.2	14.6	13.4	9.7	7.7	6.8	
92	13.9	13.9	13.2	9.3	7.5	6.6	
98	13.0	13.0	13.0	8.8	7.3	6.4	
105	11.9	12.1	12.3	8.6	7.1	6.4	
112	11.0	11.2	11.5	8.2	6.8	6.2	
118	9.9	10.4	10.6	7.9	6.8	6.2	
125	9.0	9.5	9.7	7.7	6.6	6.0	
131	8.6	8.6	8.8	7.5	6.4	6.0	
138	7.9	7.9	8.2	7.1	6.4	6.0	
144	7.5	7.5	7.5	6.8	6.2	6.0	
151	6.8	7.1	7.1	6.4	6.0	6.0	
158	6.4	6.4	6.6	6.0	5.7	5.7	
164	6.0	6.2	6.2	5.5	5.5	5.5	
177	4.4	4.6	3.3	4.6	4.9	4.9	
190	2.6	2.6	-	3.7	4.2	4.2	
203	-	-	-	2.6	2.9	2.0	

196.9 ft Main boom		Extension					
Radius	29.9 ft			55.8 ft			
	0°	20°	40°	0°	20°	40°	
ft	1,000 lb						
46	13.2	-	-	-	-	-	
53	13.2	-	-	8.6	-	-	
59	13.0	12.6	-	8.6	-	-	
66	12.3	12.1	11.9	8.4	-	-	
72	11.9	11.7	11.5	8.2	7.7	-	
79	11.5	11.2	11.0	7.9	7.5	-	
85	10.8	10.8	10.6	7.7	7.3	6.4	
92	10.1	10.1	10.1	7.5	7.1	6.2	
98	9.7	9.7	9.7	7.3	6.8	6.2	
105	9.0	9.3	9.3	7.1	6.6	6.0	
112	8.4	8.6	8.8	6.8	6.4	6.0	
118	7.9	8.2	8.4	6.6	6.2	5.7	
125	7.3	7.5	7.7	6.2	6.0	5.7	
131	6.8	7.1	7.3	5.7	5.7	5.5	
138	6.2	6.4	6.6	5.3	5.5	5.5	
144	5.5	6.0	6.0	5.1	5.1	5.3	
151	5.1	5.3	5.5	4.6	4.9	5.1	
158	4.9	4.9	5.1	4.2	4.4	4.6	
164	4.4	4.6	4.6	3.7	4.2	4.4	
177	3.3	3.7	3.7	3.3	3.5	3.7	
190	2.0	2.2	2.4	2.4	2.9	3.1	
203	-	-	-	-	2.0	2.2	
216	-	-	-	-	-	-	



### LIFTING CAPACITIES MAIN BOOM EXTENSION

13,900 lb

360°

85 %


41.0 ft Main boom							
Radius	Extension						
	29.9 ft			55.8 ft			
	0°	20°	40°	0°	20°	40°	
ft	1,000 lb						
10	35.7	-	-	23.4	-	-	
12	35.7	-	-	22.5	-	-	
13	35.7	-	-	21.6	-	-	
15	34.8	-	-	20.7	-	-	
16	34.0	25.4	-	20.1	-	-	
20	31.7	23.8	-	18.5	-	-	
23	29.5	22.5	-	17.2	-	-	
26	27.8	21.4	17.2	16.1	-	-	
30	25.8	20.5	16.5	15.0	12.1	-	
33	24.0	19.6	16.1	14.1	11.5	-	
39	21.4	18.1	15.0	12.8	10.6	-	
46	19.2	16.8	14.1	11.5	9.7	8.4	
53	17.6	15.9	13.9	10.4	8.8	7.7	
59	16.3	15.9	-	9.5	8.4	7.5	
66	-	-	-	8.6	7.7	7.1	
72	-	-	-	7.9	7.3	6.8	
79	-	-	-	7.5	7.1	6.8	
85	-	-	-	-	6.8	-	
92	-	-	-	-	-	-	

139.8 ft Main boom							
Radius	Extension						
	29.9 ft			55.8 ft			
	0°	20°	40°	0°	20°	40°	
ft	1,000 lb						
33	29.5	-	-	15.7	-	-	
39	27.8	-	-	14.8	-	-	
46	24.9	19.8	-	13.9	-	-	
53	21.8	19.0	15.4	13.0	10.1	-	
59	18.3	18.1	15.0	12.3	9.5	-	
66	16.1	16.5	14.6	11.7	9.3	-	
72	13.2	14.8	14.3	10.8	8.8	7.3	
79	10.8	12.1	13.2	9.9	8.4	7.1	
85	8.8	9.9	10.8	9.0	8.2	6.8	
92	7.1	8.2	8.8	7.5	7.7	6.8	
98	5.5	6.4	7.1	6.2	7.3	6.6	
105	4.2	5.1	5.7	5.1	6.6	6.4	
112	3.3	4.0	4.4	4.0	5.3	6.4	
118	2.2	2.9	3.3	2.9	4.2	5.3	
125	-	2.0	2.4	2.2	3.3	4.2	
131	-	-	-	-	2.4	3.3	
138	-	-	-	-	1.5	2.4	
144	-	-	-	-	-	-	
151	-	-	-	-	-	-	

168.0 ft Main boom							
Radius	Extension						
	29.9 ft			55.8 ft			
	0°	20°	40°	0°	20°	40°	
ft	1,000 lb						
39	22.5	-	-	-	-	-	
46	21.8	-	-	12.3	-	-	
53	17.6	17.6	-	11.9	-	-	
59	15.7	16.3	14.3	11.2	-	-	
66	12.6	14.6	14.1	10.8	8.8	-	
72	9.9	11.7	13.2	9.7	8.4	-	
79	7.7	9.3	10.6	7.5	8.2	6.8	
85	5.7	7.3	8.4	6.0	7.7	6.8	
92	4.4	5.5	6.6	4.4	6.8	6.6	
98	3.1	4.2	5.1	3.1	5.3	6.4	
105	2.0	2.9	3.7	2.0	4.0	5.7	
112	-	2.0	2.6	-	2.9	4.4	
118	-	-	1.5	-	2.0	3.3	
125	-	-	-	-	-	2.4	
131	-	-	-	-	-	-	

196.9 ft Main boom							
Radius	Extension						
	29.9 ft			55.8 ft			
	0°	20°	40°	0°	20°	40°	
ft	1,000 lb						
46	13.2	-	-	-	-	-	
53	13.2	-	-	8.6	-	-	
59	13.0	12.6	-	8.6	-	-	
66	9.9	12.1	11.9	8.4	-	-	
72	7.3	9.3	11.0	7.1	7.7	-	
79	5.3	7.1	8.6	5.1	7.5	-	
85	3.5	5.1	6.4	3.3	6.2	6.4	
92	2.2	3.5	4.9	2.0	4.6	6.2	
98	-	2.2	3.3	-	3.3	5.5	
105	-	-	2.0	-	2.0	4.0	
112	-	-	-	-	-	2.9	
118	-	-	-	-	-	1.8	
125	-	-	-	-	-	-	
131	-	-	-	-	-	-	
138	-	-	-	-	-	-	

LIFTING CAPACITIES MAIN BOOM EXTENSION

86,000 lb  360° 85 %

41.0 ft Main boom		Extension					
Radius	82.0 ft			108.3 ft			
	0°	20°	40°	0°	20°	40°	
ft	1,000 lb						
16	19.8	-	-	-	-	-	
20	18.7	-	-	-	-	-	
23	17.6	-	-	16.3	-	-	
26	16.8	-	-	15.2	-	-	
30	15.9	-	-	14.3	-	-	
33	15.2	-	-	13.4	-	-	
39	13.9	10.8	-	11.7	-	-	
46	12.6	10.1	-	10.6	9.7	-	
53	11.5	9.5	7.9	9.5	8.8	-	
59	10.6	8.8	7.7	8.4	7.9	7.7	
66	9.7	8.4	7.5	7.7	7.3	7.1	
72	8.8	7.9	7.1	7.1	6.6	6.4	
79	8.2	7.5	7.1	6.2	6.2	6.0	
85	7.7	7.3	6.8	5.7	5.5	5.5	
92	7.1	6.8	6.6	5.3	5.1	5.1	
98	6.6	6.4	6.4	4.9	4.6	4.9	
105	6.2	6.2	6.4	4.4	4.4	4.4	
112	-	-	-	4.0	4.2	4.2	
118	-	-	-	3.7	3.7	4.0	
125	-	-	-	3.5	3.5	3.7	
131	-	-	-	3.3	3.3	-	
138	-	-	-	-	-	-	
144	-	-	-	-	-	-	
151	-	-	-	-	-	-	
158	-	-	-	-	-	-	

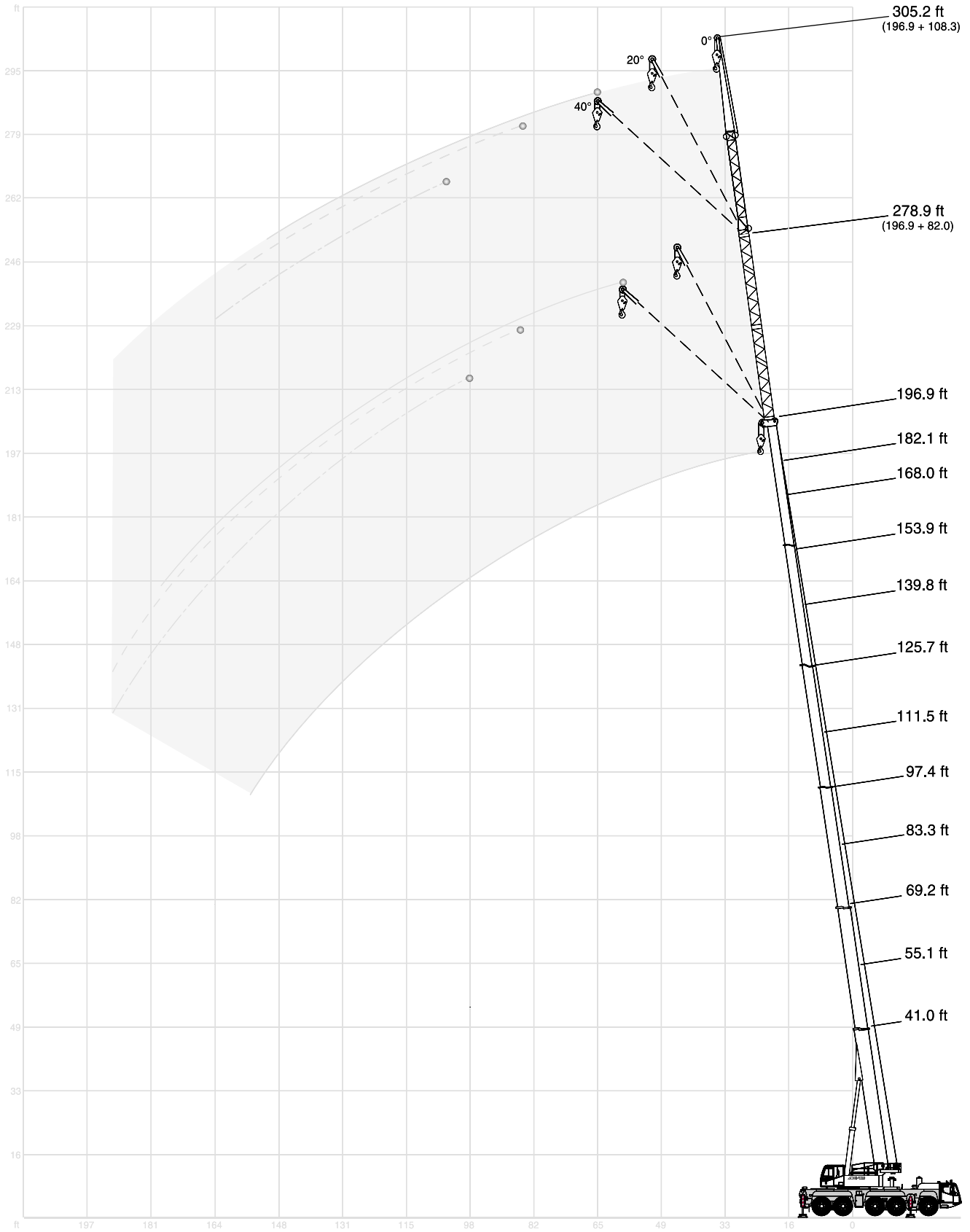
139.8 ft Main boom		Extension					
Radius	82.0 ft			108.3 ft			
	0°	20°	40°	0°	20°	40°	
ft	1,000 lb						
46	12.6	-	-	-	-	-	
53	12.1	-	-	9.5	-	-	
59	11.5	-	-	9.0	-	-	
66	11.0	8.8	-	8.4	-	-	
72	10.6	8.6	-	7.9	7.1	-	
79	10.1	8.2	7.1	7.5	6.8	-	
85	9.7	7.9	6.8	7.1	6.4	6.0	
92	9.3	7.7	6.6	6.6	6.2	5.7	
98	8.8	7.5	6.6	6.4	5.7	5.5	
105	8.6	7.3	6.4	6.0	5.5	5.1	
112	8.2	7.1	6.4	5.5	5.3	5.1	
118	7.9	6.8	6.2	5.3	4.9	4.9	
125	7.5	6.6	6.2	5.1	4.6	4.6	
131	7.3	6.6	6.2	4.9	4.4	4.4	
138	6.8	6.4	6.2	4.6	4.2	4.2	
144	6.6	6.2	6.0	4.4	4.2	4.0	
151	6.2	6.0	6.0	4.2	4.0	4.0	
158	5.7	5.7	5.7	4.0	3.7	3.7	
164	5.5	5.5	5.5	3.7	3.5	3.5	
177	4.6	4.6	4.9	3.5	3.3	3.3	
190	3.7	3.7	4.0	2.9	3.1	3.1	
203	3.3	3.3	-	2.2	2.6	2.9	
217	-	-	-	1.8	1.8	2.0	
230	-	-	-	1.5	1.5	-	
243	-	-	-	-	-	-	

168.0 ft Main boom		Extension					
Radius	82.0 ft			108.3 ft			
	0°	20°	40°	0°	20°	40°	
ft	1,000 lb						
53	9.7	-	-	-	-	-	
59	9.7	-	-	6.4	-	-	
66	9.5	-	-	6.4	-	-	
72	9.3	7.9	-	6.4	-	-	
79	9.0	7.7	-	6.2	-	-	
85	8.6	7.5	6.4	6.0	5.7	-	
92	8.4	7.3	6.4	6.0	5.5	-	
98	8.2	7.1	6.2	5.7	5.3	5.1	
105	7.9	6.8	6.2	5.5	5.1	4.9	
112	7.7	6.6	6.2	5.3	4.9	4.6	
118	7.3	6.6	6.0	5.1	4.6	4.4	
125	6.8	6.4	6.0	4.6	4.4	4.2	
131	6.4	6.2	6.0	4.4	4.2	4.2	
138	6.0	6.0	5.7	4.2	4.0	4.0	
144	5.5	5.5	5.5	4.0	4.0	4.0	
151	5.1	5.3	5.3	3.7	3.7	3.7	
158	4.6	4.9	5.1	3.5	3.5	3.5	
164	4.4	4.6	4.6	3.3	3.3	3.3	
177	3.5	4.0	4.0	2.9	2.9	3.1	
190	3.1	3.1	3.3	2.2	2.6	2.6	
203	2.2	2.6	2.6	1.5	2.0	2.2	
217	-	1.8	1.8	-	-	-	
230	-	-	-	-	-	-	

196.9 ft Main boom		Extension					
Radius	82.0 ft			108.3 ft			
	0°	20°	40°	0°	20°	40°	
ft	1,000 lb						
59	5.3	-	-	-	-	-	
66	5.3	-	-	2.9	-	-	
72	5.3	-	-	2.9	-	-	
79	5.1	-	-	2.9	-	-	
85	5.1	4.9	-	2.9	2.6	-	
92	4.9	4.9	-	2.6	2.6	-	
98	4.9	4.6	4.6	2.6	2.6	-	
105	4.6	4.4	4.4	2.6	2.6	2.6	
112	4.4	4.2	4.2	2.4	2.4	2.6	
118	4.2	4.0	4.0	2.2	2.4	2.4	
125	4.0	4.0	4.0	2.2	2.2	2.4	
131	3.7	3.7	3.7	2.0	2.0	2.2	
138	3.5	3.5	3.5	2.0	2.0	2.0	
144	3.3	3.3	3.3	1.8	1.8	2.0	
151	3.1	3.1	3.3	1.5	1.8	1.8	
158	2.9	2.9	3.1	-	1.5	1.8	
164	2.6	2.6	2.9	-	-	1.5	
177	2.0	2.2	2.4	-	-	-	
190	-	1.8	2.0	-	-	-	
203	-	-	-	-	-	-	
217	-	-	-	-	-	-	
230	-	-	-	-	-	-	
243	-	-	-	-	-	-	



**WORKING RANGES MAIN BOOM EXTENSION**





**TECHNICAL DESCRIPTION**

**CARRIER**

<b>Drive / Steering</b>	10 x 8 x 8.
<b>Frame</b>	Torsion-resistant box girder frame fabricated from high-strength fine grain structural steel.
<b>Outriggers</b>	4 telescopic outriggers, fabricated from fine grain structural steel, fully hydraulic horizontal and vertical extension.
<b>Engine</b>	Water-cooled 8 cylinder DaimlerChrysler diesel engine OM 502 LA, rating 380 kW (516 HP) at 1800 <sup>1</sup> /min, torque 2400 Nm at 1200 <sup>1</sup> /min, fuel tank capacity: 132 gallons.
<b>Transmission</b>	ZF AS-Tronic, electronically automated transmission with automatic clutch, 16 forward and 2 reverse speeds with integrated retarder, 2-range transfer case, cruise control.
<b>Axles</b>	Axles 2, 3, 4 and 5: driven, 1, 2, 4 and 5: steered. Transverse differential lockout control on axles 2, 3, 4 and 5. Longitudinal lockout control on axles 3 and 4.
<b>Suspension</b>	Hydro-pneumatic suspension on all axles, hydraulically lockable for on-site travel.
<b>Wheels and tires</b>	10 wheels fitted with 14.00 R 25 tires (Michelin or Bridgestone).
<b>Steering</b>	10 x 8, ZF dual-circuit semiblock mechanical steering with hydraulic booster and mechanical steering limiter, speed-dependent steering, 4th and 5th axles provide for independent rear axle steering.
<b>Brakes</b>	To EC directives. Sustained action brake: hydraulic retarder integrated into gearbox. Exhaust brake and constant choke valve.
<b>Electrical equipment</b>	24 V system.
<b>Driver's cab</b>	Highly comfortable ergonomic cab with clearly arranged dashboard, rubber mounted steel cab, corrosion-resistant powder coating with 2-pack top coat. 9.8 ft wide, 2 comfortable seats, with pneumatically sprung and heated driver's seat incl. head and arm rests, and three-point seat belts, vertically adjustable steering wheel, safety glass used throughout, electric windows, heated and electrically adjustable mirrors, windscreen defroster fans, engine-dependent hot water heater, electric windscreen washer and wiper, roller blinds, radio with CD player, stowage compartment, air-conditioning.

**SUPERSTRUCTURE**

<b>Engine</b>	Water-cooled 4 cylinder DaimlerChrysler diesel engine OM 904 LA, rating 130 kW (177 HP) at 1800 <sup>1</sup> /min, torque 630 Nm at 1200 <sup>1</sup> /min, fuel tank capacity: 60 gallons (on superstructure).
<b>Hydraulic system</b>	Two variable displacement axial piston pumps with automatic power control enabling the operator to engage four independent working movements simultaneously, separate pump for slewing. Hydraulic oil cooler included as standard. Reservoir capacity: 206 gallons.
<b>Hoist</b>	Fixed displacement axial piston hydraulic motor, hoist drum with integrated planetary gear reducer, and spring-applied multi-disk brake. Hydraulic brake, drum rotation indicator.
<b>Slew unit</b>	Hydraulic motor with planetary gear reducer, pedal-operated brake, joystick-actuated free swing, spring-applied holding brake.
<b>Boom elevation</b>	1 differential cylinder with automatic lowering brake valve.
<b>Crane cab</b>	Highly comfortable cab with sliding door, roof window and large hinged windscreen; safety glass used throughout; sprung and hydraulically damped operator's seat with head and arm rests; wiper for windscreen and roof window; self-contained hot water heater with timer and 'Heizmatic' for sensitive heat flow control; dashboard with instrumentation and crane controls, e.g. drum rotation indicator for hoists I and II, load moment limiter, outrigger loading indicator; 2 working lights, air-conditioning. The crane cab can be tilted back hydraulically 18°.
<b>Main boom</b>	Boom base and 5 telescopic sections fabricated from fine grain structural steel; anti-deflection Demag Ovaloid profile.
<b>Counterweight</b>	86,000 lb, divisible, hydraulically stowable on carrier.
<b>Safety devices</b>	Electronic safe load indicator with graphic display and touchscreen, digital readout for hook load, rated load, boom length and angle, radius, monitoring code to assist in trouble shooting, and analog display to indicate capacity utilization in %, integrated control system for boom telescoping, display for duty charts and theoretical and actual outrigger loading. Working range limitation to certain, pre-defined slew angles, heights and radii („virtual walls“) included as standard.

**OPTIONAL EQUIPMENT**

<b>Runner</b>	4.9 ft, 2-sheaves.
<b>Twist arrestor</b>	To untwist the hoist ropes.
<b>Heavy lift attachments</b>	The max. lifting capacity of the standard crane without heavy lift attachment is 170,900 lb (5 sheaves on boom head).
<b>Emergency control</b>	Interface for emergency control to recover small loads, incl. transformer. With hydraulic motor and hydraulic pump available on request.
<b>Warning light</b>	For main boom and attachments.
<b>Rooster sheave</b>	Sheave on boom head folding to the side of the boom, for single-line operation.
<b>Wheels and tires</b>	16.00 R 25, 17.5 R 25 and 20.5 R 25.
<b>Hoist 2</b>	Fixed displacement axial piston hydraulic motor, hoist drum with integrated planetary gear reducer, and spring-applied multi-disk brake. Hydraulic brake, drum rotation indicator.
<b>Main boom extension</b>	1 or 2-part foldaway jib, 29.9 ft or 55.8 ft, can be extended to 82.0 ft and 108.3 ft. 0°, 20° and 40° offset.
<b>Further options on request!</b>	

**NOTES TO LIFTING CAPACITY**

Ratings are in compliance with ISO 4305 and DIN 15019.2 (test load = 1.25 x suspended load + 0.1 x dead weight of boom head).  
Weight of hook blocks and slings is part of the load, and is to be deducted from the capacity ratings.

Crane operation with main boom is permissible up to a

wind pressure of: 1.25 lb/ft<sup>2</sup>


wind speed of: 32 ft/s

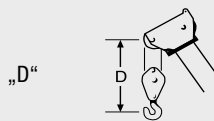
Consult operation manual for further details.

**Note:** Data published herein is intended as a guide only and shall not be construed to warrant applicability for lifting purposes.  
Crane operation is subject to the computer charts and operation manual both supplied with the crane.

**KEY**

 Counterweight

 Lifting capacities on outriggers 360°





The information contained in this brochure merely consists of general descriptions and a broad compilation of performance features which might not apply precisely as described under specific application conditions or which may change as a result of further product development.  
The desired performance features only become binding once expressly agreed in the final contract.

Subject to change without notice. · Machine operation is subject to computer charts only.

02/05

**Terex Cranes Wilmington Operations**

Mobile hydraulic and lattice-boom cranes  
202 Raleigh St. · Wilmington, NC 28412 USA  
Phone +1 910 395 8500 · Fax +1 910 395 8538  
Email: [american@american-crane.com](mailto:american@american-crane.com)